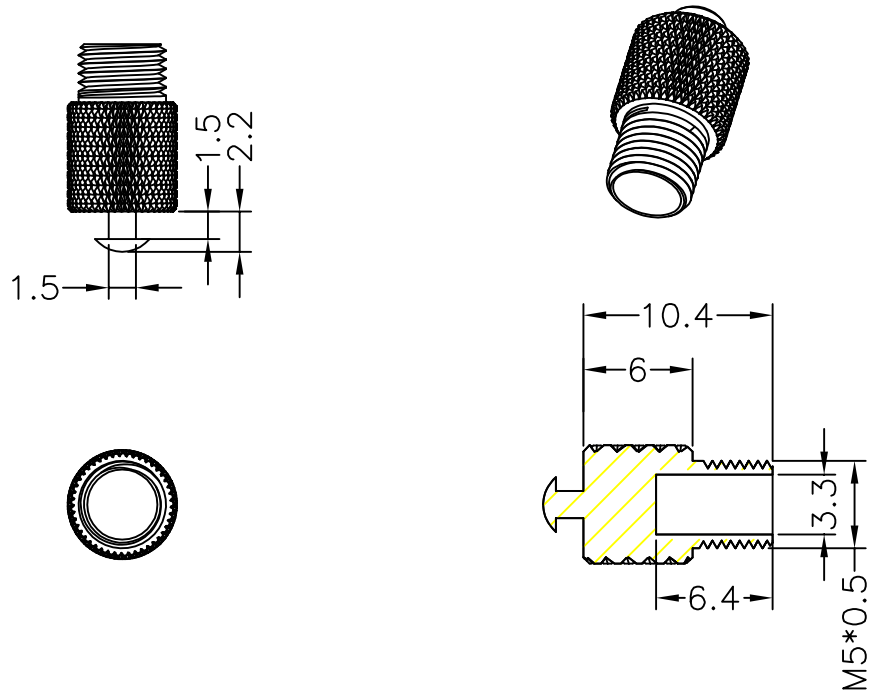


REVISIONS			
REV.	DESCRIPTION	DATE	REVISED BY
S0	CREATED DRAWING	04/10/21	Ruby_zhang



Locking System: Screw-locking
Connector NUT: Brass with nickel plated
ALL MATERIALS ARE COMPLIANT WITH ROHS
OR REACH

 Shenzhen Indus-connector Limited		TITLE: M5 cover male			
		Customer Part No: --	REV. --	UNITS: mm	
DRAWN BY: Ruby_zhang	DATE: 04/10/21	Indus-connector Part No: 5CAP002		REV. S0	SCALE: NONE
CHECKED BY: David	DATE: 04/10/21	Tolerances Unless Otherwise Specified:		PROJECTION:	SIZE: A4
APPROVED BY: --	DATE: --	DECIMALES: X. ±0.30 .X ±0.20	ANGLES: X°. ±2.0° .X° ±1.0°		SHEET: 1 OF 1
THIS DRAWING CONTAINS INFORMATION THAT IS PROPRIETARY TO INDUS-CONNECTOR INCORPORATED					

