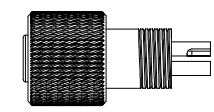
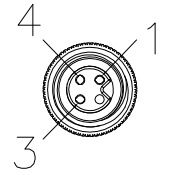
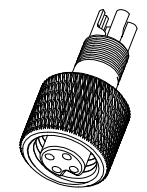
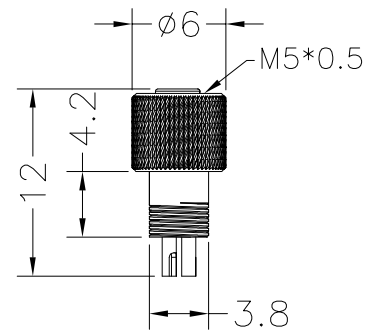


REVISIONS			
REV.	DESCRIPTION	DATE	REVISED BY
S0	CREATED DRAWING	06/28/21	Ruby_zhang



Electrical Character:
 Rating voltage: 60V AC/DC
 Insulation resistance: >100MΩ
 Rating current: 1A
 Contact resistance: ≤5mΩ

General Information:
 Standard: IEC 61076-2-105
 Connector Body: TPU
 Contacts: Phosphorus copper with Gold plating
 Connector Locking System: Screw-locking
 Ambient Temperature: -25°C~+85°C
 Waterproof Rating: IP67/IP68
 ALL MATERIALS ARE COMPLIANT WITH ROHS OR REACH

No.	Part No.	DESCRIPTION	Q'TY	UNIT
③	TK0061	Nut 6*5mm Brass with nickel plated	1	PC
②	--	Green Fluorine rubber ring Ø2.5*0.5mm	1	PC
①	DZ0048	M5 3pin female connector	1	PC

 Shenzhen Indus-connector Limited		TITLE: M5 3pin female solder connector			
		Customer Part No: --	REV. --	UNITS: mm	
DRAWN BY: Ruby_zhang CHECKED BY: David APPROVED BY: --	DATE: 06/28/21 DATE: 06/28/21 DATE: --	Indus-connector Part No: 5C002	REV. S0	SCALE: NONE	
THIS DRAWING CONTAINS INFORMATION THAT IS PROPRIETARY TO INDUS-CONNECTOR INCORPORATED		Tolerances Unless Otherwise Specified: DECIMALES: X. ±0.30 .X ±0.20	ANGLES: X°. ±2.0° .X° ±1.0°	PROJECTION: 	SIZE: A4 SHEET: 1 OF 1